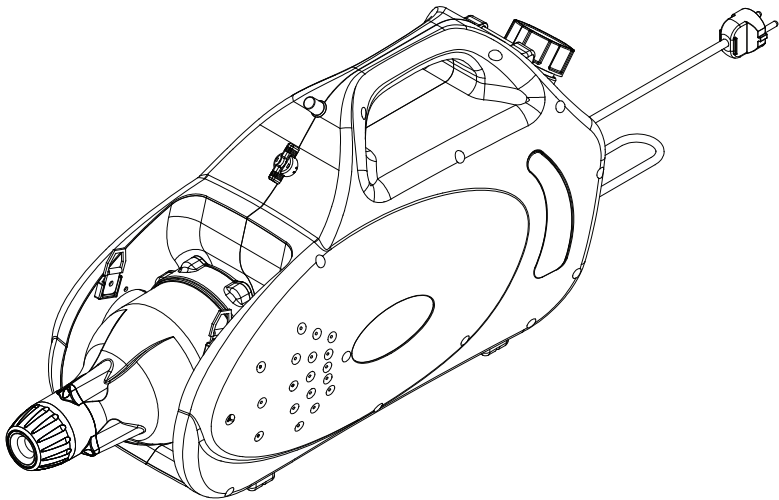


Genesis

2.6 hocl fogger



Please read instructions carefully to ensure proper use.

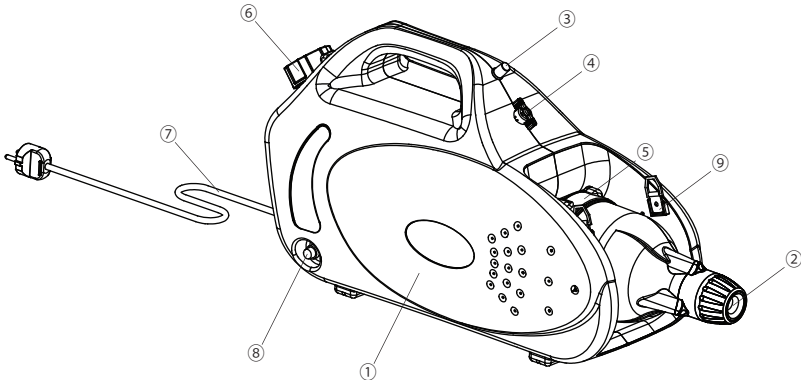
Specifications

Type Name	Genesis 2.6
Rated Voltage	110V-60Hz
Rated Current	1400W
Dispensing Capacity	1.056 US Gallons
Discharge Rate	.317 gal/min
Spray Distance	~9-30 ft
Particle Size	20~50 μ m
Dimensions	25.79in x 7.87in x 12.2in
Weight	9.48lbs
Cord Length	19.6 ft

Product Configuration

- Main body
- Shoulder strap
- User's guide

Configuration

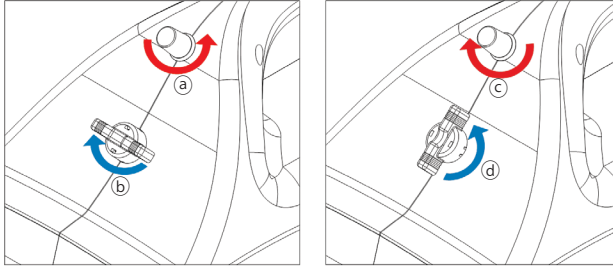


- | | | |
|--------------------------|-----------------|-----------------------|
| ① Main body | ② Nozzle | ③ Air control switch |
| ④ Solution control valve | ⑤ Motor housing | ⑥ Tank cap |
| ⑦ Power Cord | ⑧ Fuse | ⑨ Shoulder strap ring |

How to use

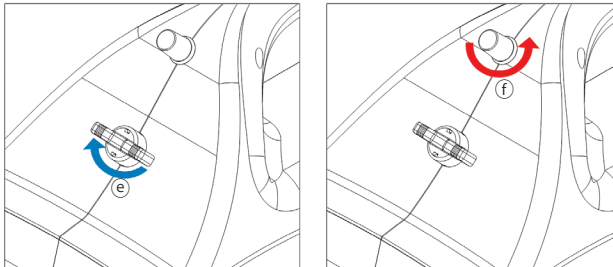
Operation

1. After pouring an appropriate amount of water or solution into the tank, close the cap of the tank completely.
2. Turn the air control switch (a) counter-clockwise, then ensure that the solution control valve (b) is completely locked by turning clockwise before connecting the power line.
3. Face the spray nozzle in the direction you'd like to work and turn the air control switch (c) clockwise to adjust the speed of the air.
4. After confirming that your air speed will not affect your surroundings, adjust the amount of water or solution by opening the solution control valve (d).



Stop operation

1. Make sure to completely close the solution control valve (e) so that the nozzle is no longer ejecting any water or solution.
2. Turn the air control switch (f) counter-clockwise and stop the motor.
3. Remove the power cord.
4. Empty the solution tank and clean it.
5. Fill the tank with clean water and run the machine to flush the tank and nozzle.



Tip for users

HOCl

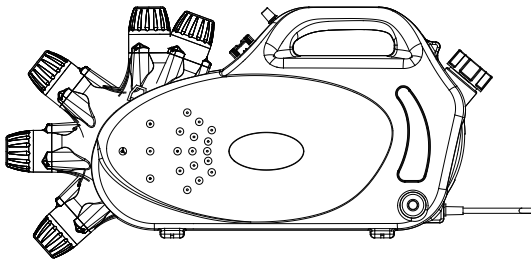
1. Do not fog with solution stonger than 200ppm.

Power line

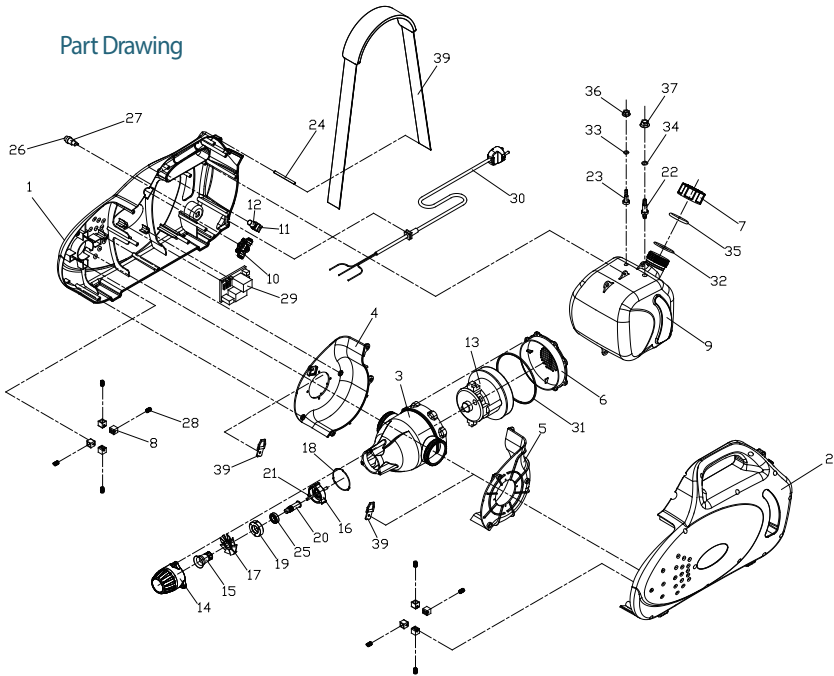
1. It may be convenient to have an additional extension cord. When using one, please make sure that it is firmly connected to the units cord.
2. If using an extension cord, please be sure to use 120V/15A/3C (ground) or higher.
3. Be mindful of your power cord as this work is generally done in humid surroundings.

Features

- By spraying ultra-fine particles, solution is applied evenly to the entire object due to the long suspension time and rotary atomization effect.
- Consumption of solution is minimized while pest or disease control effect is maximized due to the spray system of the ultra-fine particles.
- Fatigue of the wrists can be minimized by moving the ejection nozzle up and down.
- The built-in design of the ejection nozzle makes storage easy.
- The speed, distance, and amount of spray is easily controllable.
- It can be used for cleaning and sanitizing large buildings, offices, restrooms, public buildings, and hospitals.



Part Drawing



Parts List

Module Name	No	Part-Name	Spec.	CODE-NO	QTY
Body set	1	Cover_L		APN-001	1
	2	Cover_R		APN-002	1
	4	Cover case_L		APN-004	1
	5	Cover case_R		APN-005	1
	8	Rack		APN-008	8
	28	Spring	8-20	APN-028	8
Motor housing set	3	Motor housing		APN-003	1
	6	Motor housing cover		APN-006	1
	31	O-ring	G-120	APN-031	1
Motor	13	Motor	1.4KW	APN-013	1
Tank set	9	Tank		APN-009	1
	22	Water nipple		APN-022	1
	23	Air nipple		APN-023	1
	32	O-ring	G-45	APN-032	1
	33	O-ring	P7	APN-033	1
	34	O-ring	P10	APN-034	1
	36	Flange nut	M8	APN-036	1
	37	Flange nut	M10	APN-037	1

Module Name	No	Part-Name	Spec.	CODE-NO	QTY
Tank cap	7	Tank cap		APN-007	1
	35	O-ring	AN325	APN-035	1
Valve	10	Valve	1/4"	APN-010	1
Switch	11	Switch	100k	APN-011	1
	12	Knob	Red	APN-012	1
Air nozzle	14	Air nozzle		APN-014	1
Nozzle set	15	Bel cup		APN-015	1
	16	Bear housing		APN-016	1
	17	Turbine		APN-017	1
	18	Gasket		APN-018	1
	19	Bearing bush		APN-019	1
	20	Shaft		APN-020	1
	21	Tube		APN-021	1
	25	Bearing	S6901ZZ	APN-025	1
Fuse set	26	Fuse	5*20 10A	APN-026	1
	27	Fuse holder	5*20	APN-027	1
PCB	29	PCB	120V, 1400W	APN-029	1
Power cord	30	Power cord	10A 6m	APN-030	1
Shoulder strap	38	Shoulder strap		APN-038	1

Precautions for use and storage

In order to prevent accidents during operation, please read the user's guide before use.

- Please use an appropriate outlet with a grounded circuit breaker.
- Do not use when the power line is wet. Do not touch the cord with wet hands.
- Do not plug more than one plug into the electrical outlet.
- Check the status of the power cord before operation. If damaged, call a certified technician for replacing the cord.
- Always unplug the cord from the electrical outlet when the machine is not in use
- When the machine is wet, never plug into an electrical outlet.
- Do not spray toward humans, electric appliances, electrical outlets, etc.
- Keep away from children or unauthorized persons.
- Only use manufacturer-recommended parts.
- To prevent damage to objects, keep a proper distance when spraying at the maximum setting.
- Be careful of fire and shock.
- Do not use water mixed with impurities, or flammable materials.
- If there is unusual noise, smell, or smoke in the machine, unplug immediately and contact an authorized service center.

Storage Precautions

- When cleaning the machine, unplug first, and do not use water or detergent.
- Make sure to clean the tank after each use, and keep away from children.
- Keep the machine in a dry place away from direct sunlight.

Before Contacting the Repair Center

Please check the following before calling a repair center.

When the machine is not working

- Check that the power cord is plugged in.
- Check that the electrical outlet is working properly.
- Check if the voltage is 120V.
- Check the fuse.
- If the machine is not working after the fuse is replaced, contact your dealer.
- If the suction hose inside the tank is clogged, remove foreign matter.
- Please note that heat is generated in the main body even during normal operation.
- If, during operation, parts are damaged due to heat, please contact the repair center.

Warranty Standards

- Warranty standard
 - In case of malfunctioning under normal operation within one year from the date of purchase, the machine will be repaired free of charge.
- Product Replacement
 - Products within one year from the date of purchase, with the following conditions:
 - Malfunctioning under normal operation, repaired but still experiencing the same issue.
 - When repair is not possible
 - If some critical parts need repairs
- Non-warranty standard
 - Malfunctioning due to user error
 - User negligence
 - Natural disasters (Fire, salt damage, flood, earthquake, lightning, etc.)
 - User carelessness
 - If the product is not repaired at our service center
 - If the product is arbitrarily disassembled or modified
 - Malfunctioning due to abnormal power supply or any other device
 - If used beyond its intended purpose
 - In case of consumable parts
 - In case there is no name plate
 - In case of using solution that is flammable or which can damage the product

Warranty Complaints type		Compensation details	
		Within the warranty period	After the warranty period
In case of malfunctioning under normal operation	Asking for repair after purchase	Repair free of charge	Repair free of charge
	Same failure recurred (three times)	Product replacement	Non-warranty
	Repair is not possible even when parts are available	Product replacement	-
	If repairs necessary on critical parts after purchase	Product replacement	-
Malfunctioning due to user error	When repair possible	Cost for repair	Charged repair
	When repair impossible	Cost for replacement	-

- The Company is not responsible for accidents caused by customer error.
- This guide is subject to change without prior notice. Please check at the time of purchase.

Warranty

Thank you for buying this product. It has passed a strict quality control and inspection process.

Product name			Purchase date	
Model name			Mfg. No.	
Buyer	Name			Phone
	Add.			
Dealer	Name			Phone
	Add.			

1. If you have failure of the product within 12 months of the purchase date, it will be repaired by warranty standards. Please contact your dealer.

2. Repair after warranty period
 - a. Failure due to user's carelessness
 - b. Failure due to natural disasters
 - c. After the warranty period
 - d. When there is no warranty
 - e. If the product has been modified

3. The parts are available for 3 years after the product is discontinued.

4. Warranty period is one year from the day of purchase.